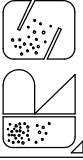
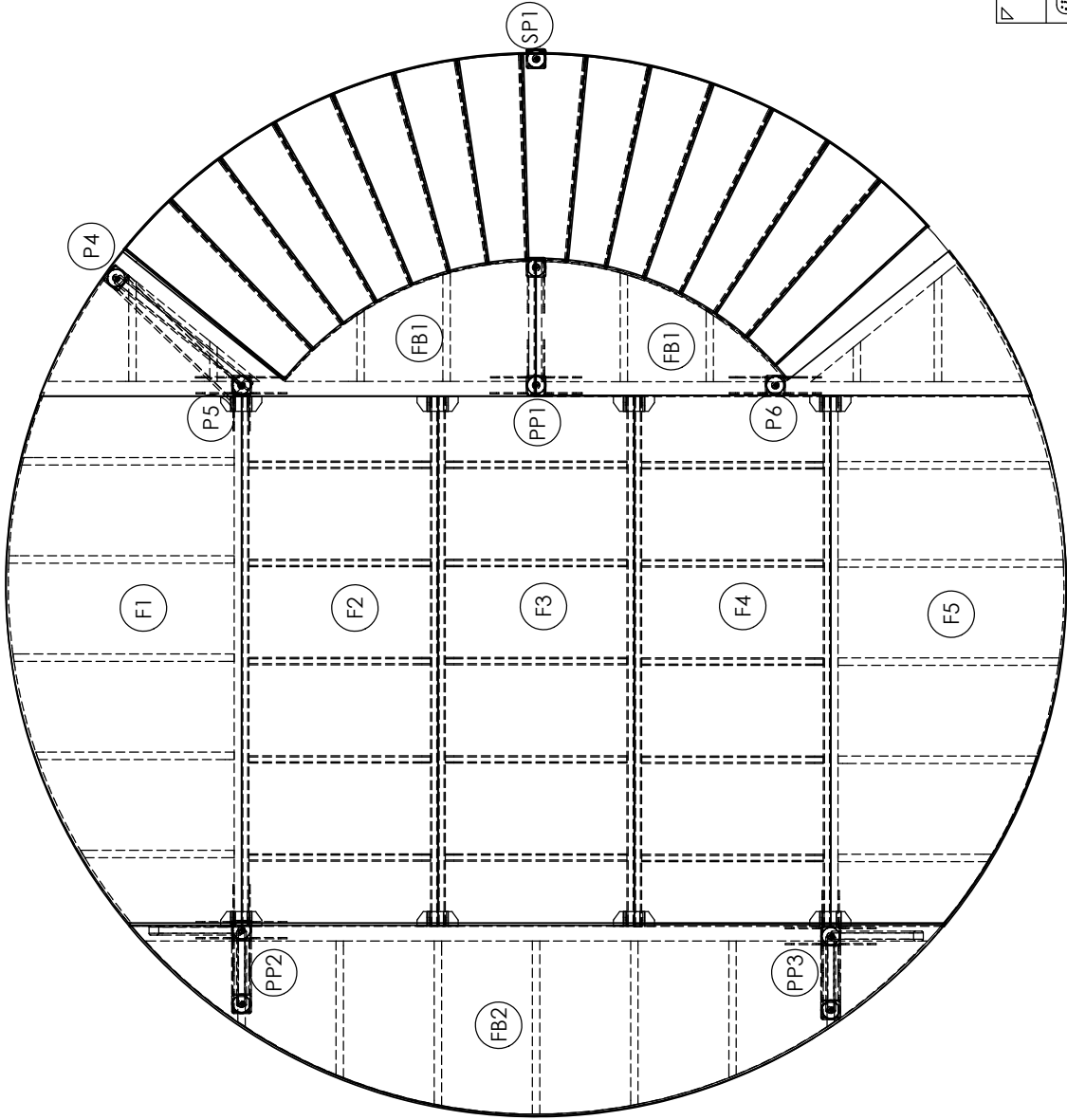


18' DIAMETER RENTAL
INSTALLATION INSTRUCTIONS Job Name: _____ DATE: 7-27-05

R SCHER & ASSOCIATES, INC.
933 E. NORTH INDUSTRIAL WAY, NV 33443
(775) 289-4100 FAX (775) 289-4103





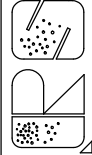
18' DIAMETER RENTAL
MAP

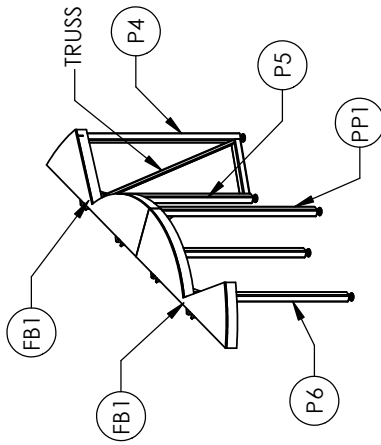
MAP

PAGE 2

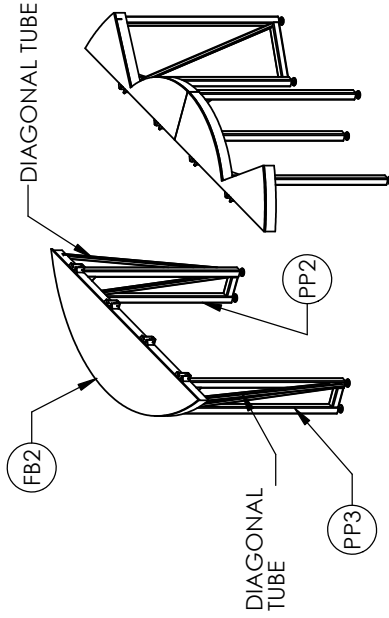
DATE: 07-28-05

**R SCHER &
ASSOCIATES, INC.**
933 E. NORTH INDUSTRIAL WAY, NV 33443
(775) 289-4100 FAX (775) 289-4103

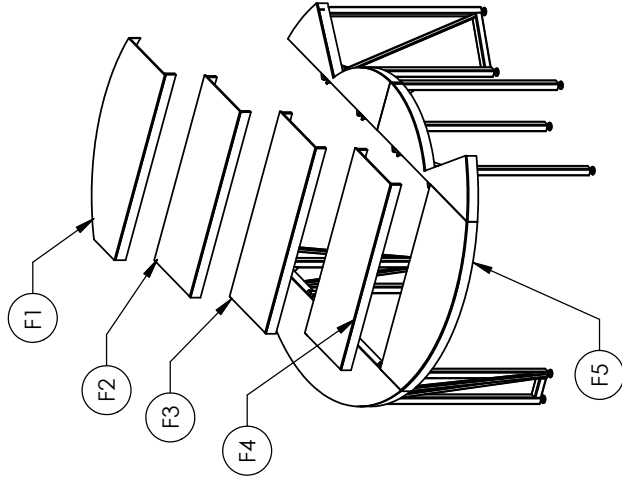




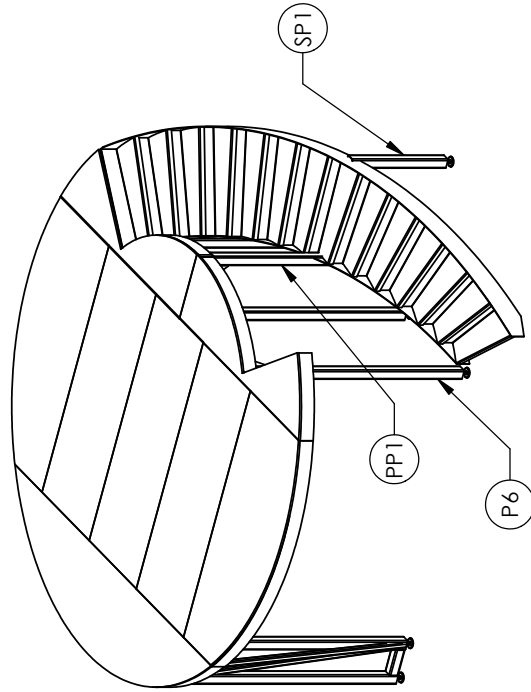
STEP 1
 PLACE (2) FB1 SECTIONS UPSIDE DOWN ON FLOOR AND ATTACH PP1, P6, AND P4, P5 TRUSS LEG ASSEMBLIES WITH SUPPLIED HARDWARE. STAND UP.
 NOTE: P6 ATTACHMENT USES 3/8" AND 1/2" HARDWARE.



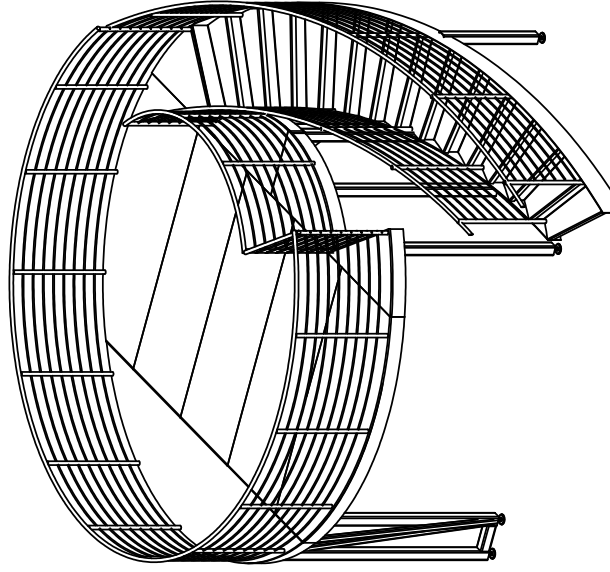
STEP 2
 PLACE FB2 SECTION UPSIDE DOWN ON FLOOR AND ATTACH PP2, PP3 TRUSS LEG ASSEMBLIES WITH SUPPLIED HARDWARE. STAND UP.
 NOTE: P6 ATTACHMENT USES 3/8" AND 1/2" HARDWARE.




STEP 3
 PLACE FB1 AND FB2 ASSEMBLIES IN DESIRED LOCATION, LOCATE AND SECURE F1, F2, F3, F4, AND F5 FLOOR GRID ASSEMBLIES.



STEP 4
 A. BOLT SP1 SUPPORT LEG TO STAIRCASE. STAND AND SECURE STAIRCASE ASSEMBLY AT THE LANDING, PP1 AND THE BASE OF P6.
 B. TIGHTEN ALL ASSEMBLY HARDWARE 1/4=7' LBS., 3/8"=15' LBS., 1/2"=30' LBS.
 C. LEVEL ADJUSTMENT: ADJUST ALL LEVELERS AT POST BASES TO CONTACT THE FLOOR FOR MAXIMUM STABILITY.



STEP 5
 INSTALL HANDRAIL ASSEMBLIES ON STAIRCASE AND UPPER DECK.
 NOTE: ALL UPPER DECK RAIL ASSEMBLIES ARE LETTER STAMPED AT THE BASE PLATE.

18' DIAMETER RENTAL	
INSTALL	DATE: 07-28-05
 R SCHER & ASSOCIATES, INC. 933 E. NORTH INDUSTRIAL WAY, NV 33443 (775) 289-4100 FAX (775) 289-4103	
INSTALL PAGE 4	